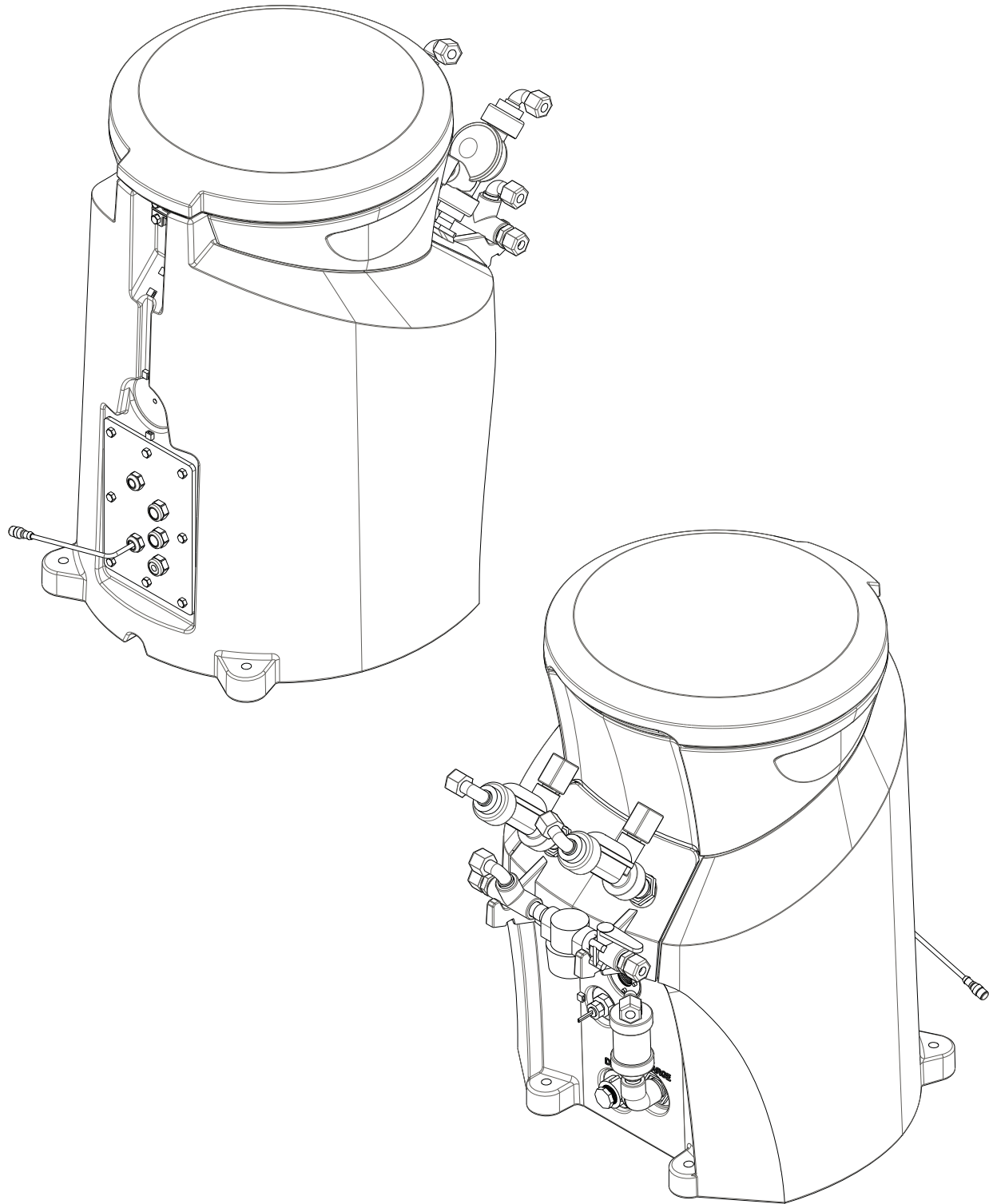


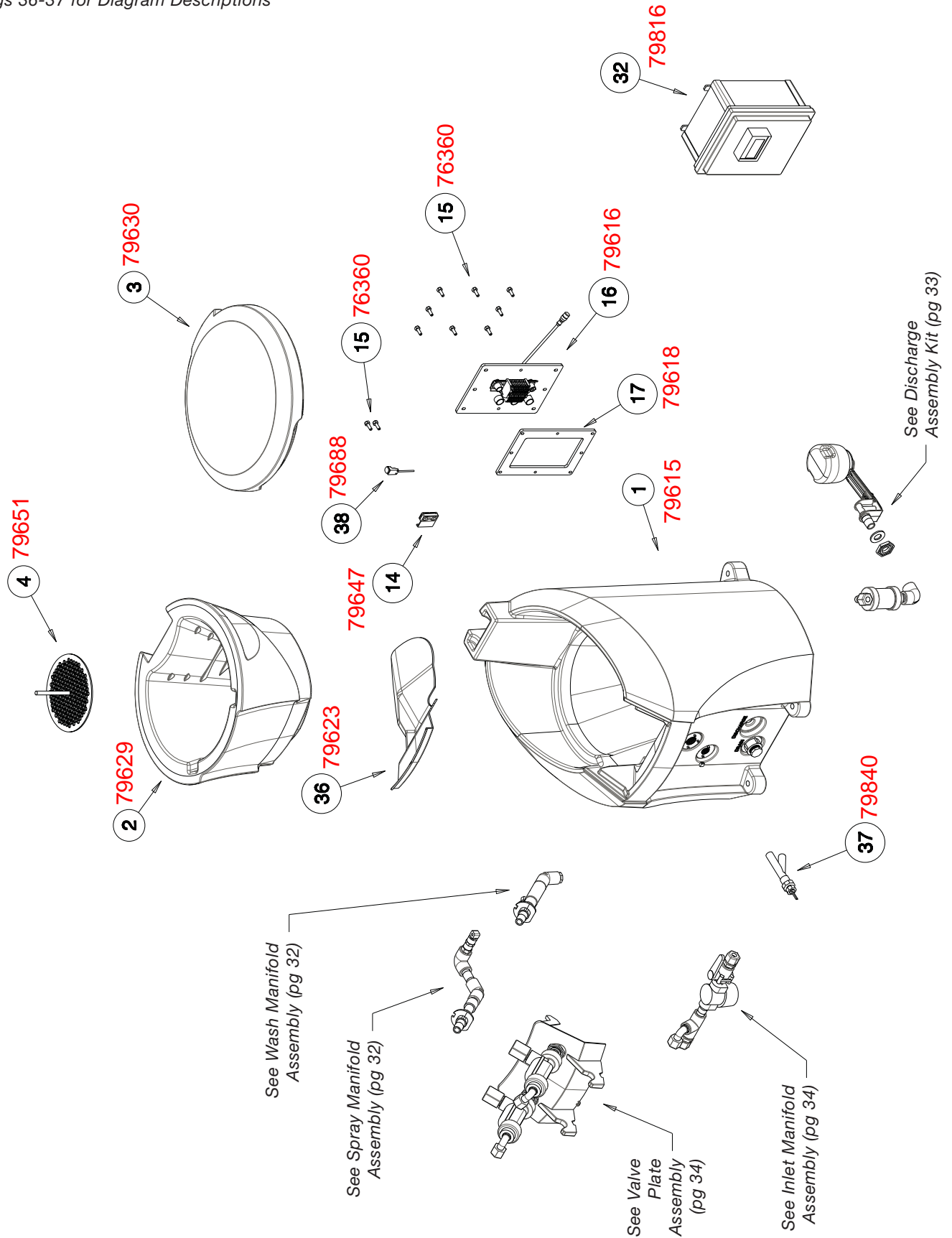
Pulsar® 45 Feeder: Detailed View

See pgs 36-37 for Diagram Descriptions



Pulsar® 45 Feeder: Detailed View

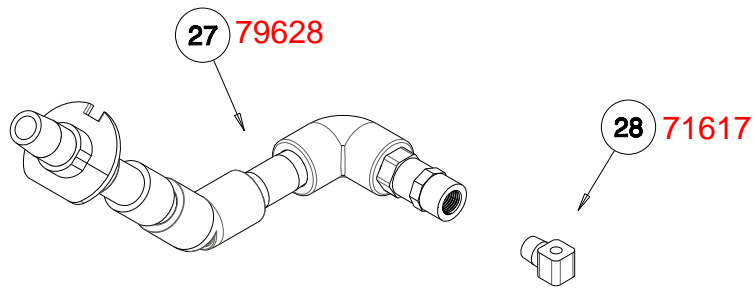
See pgs 36-37 for Diagram Descriptions



Pulsar® 45 Feeder: Assembly Views

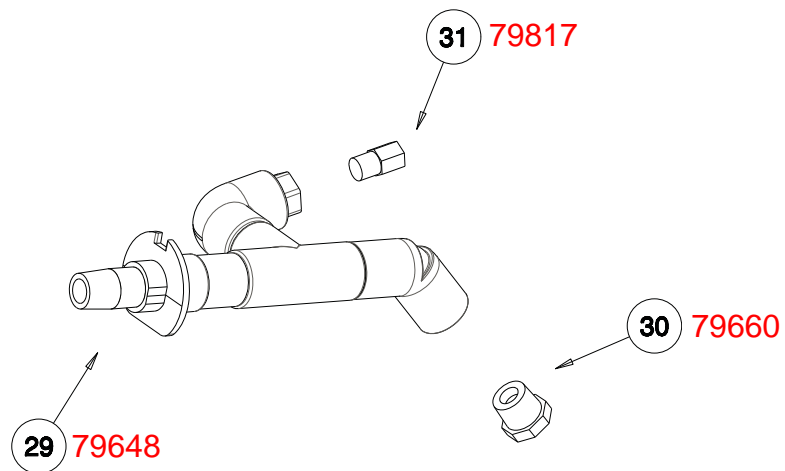
See pgs 36-37 for Diagram Descriptions

Spray Manifold Assembly



Wash Manifold Assembly

See Appendix A for Modifications

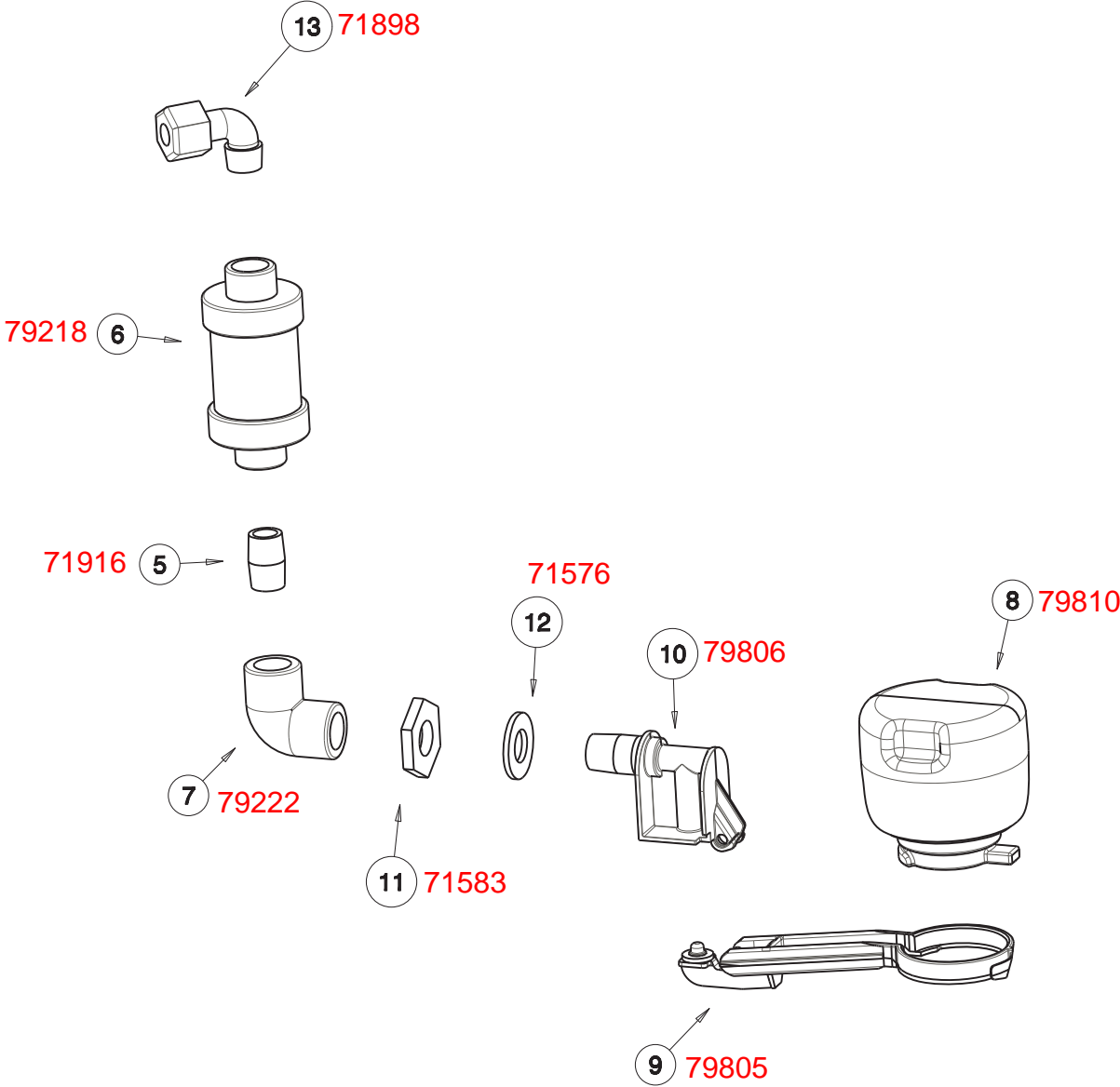


Pulsar® 45 Feeder: Assembly Views

See pgs 36-37 for Diagram Descriptions

Discharge Assembly Kit

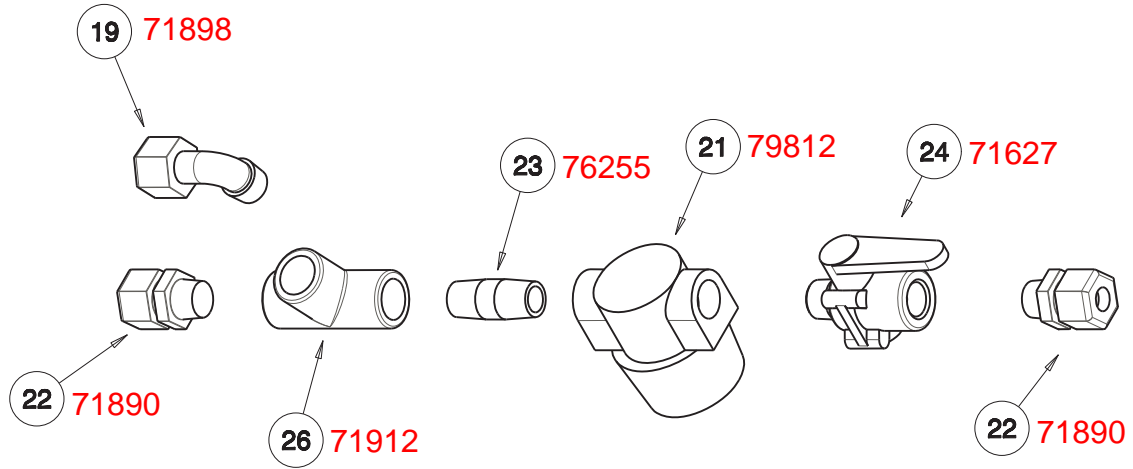
See Appendix B for Check Valve Orientation Info



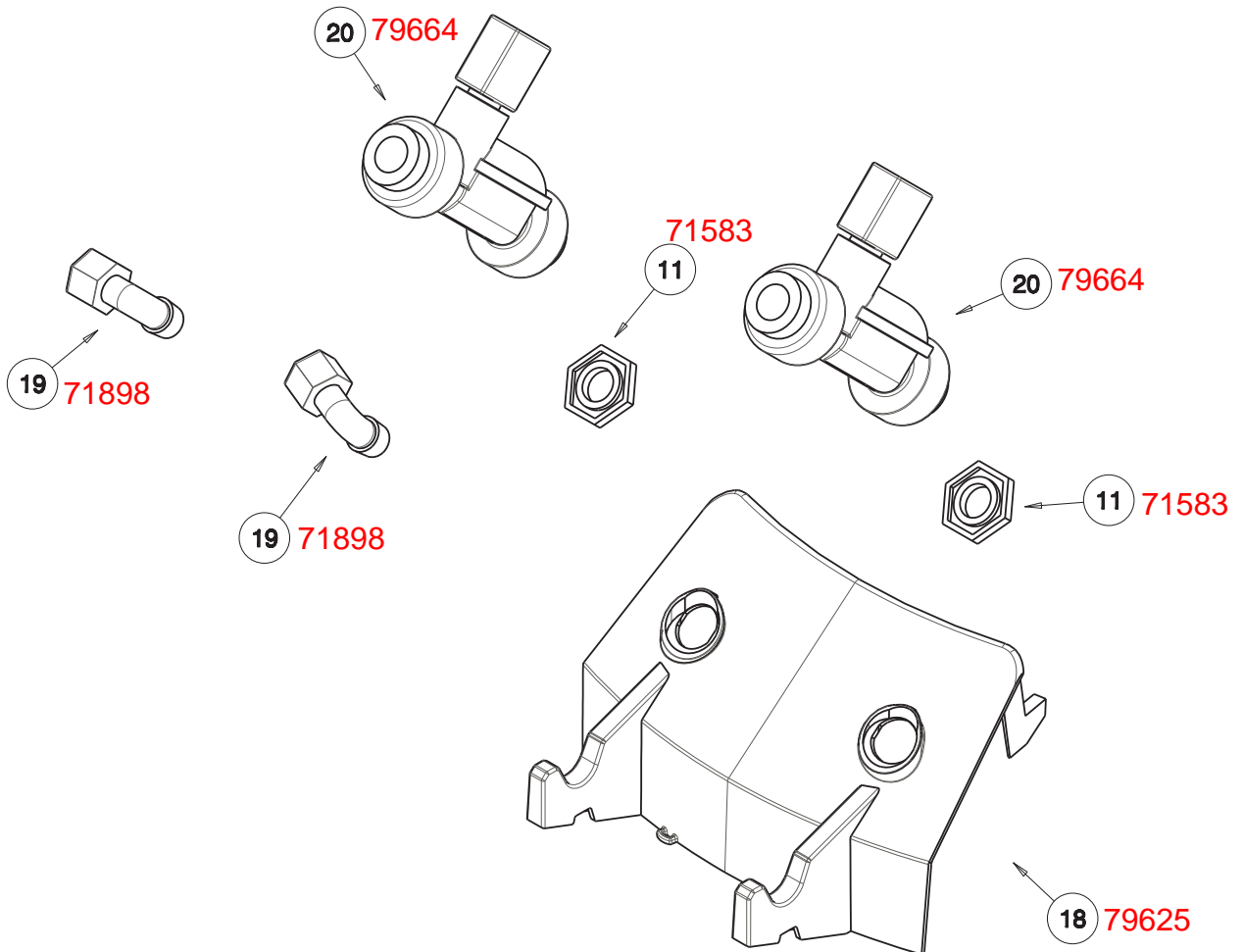
Pulsar® 45 Feeder: Assembly Views

See pgs 36-37 for Diagram Descriptions

Inlet Manifold Assembly



Valve Plate Assembly



Pulsar® 45 Feeder: Assembly Views

See pgs 36-37 for Diagram Descriptions

Pulsar® Installation Kit

