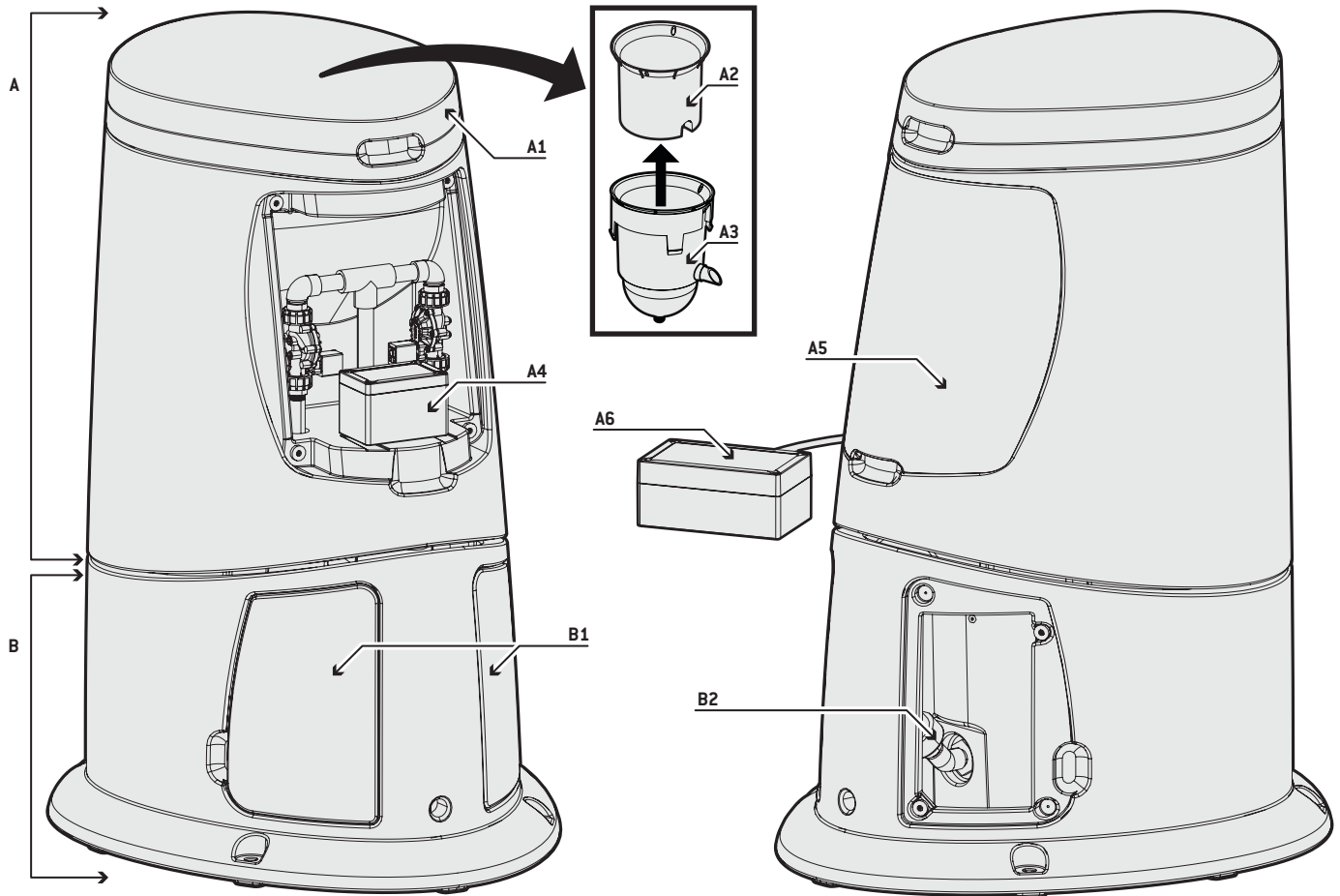


3 Pulsar® Precision Feeder Overview

Figure 2. Front View of Pulsar® Precision Feeder



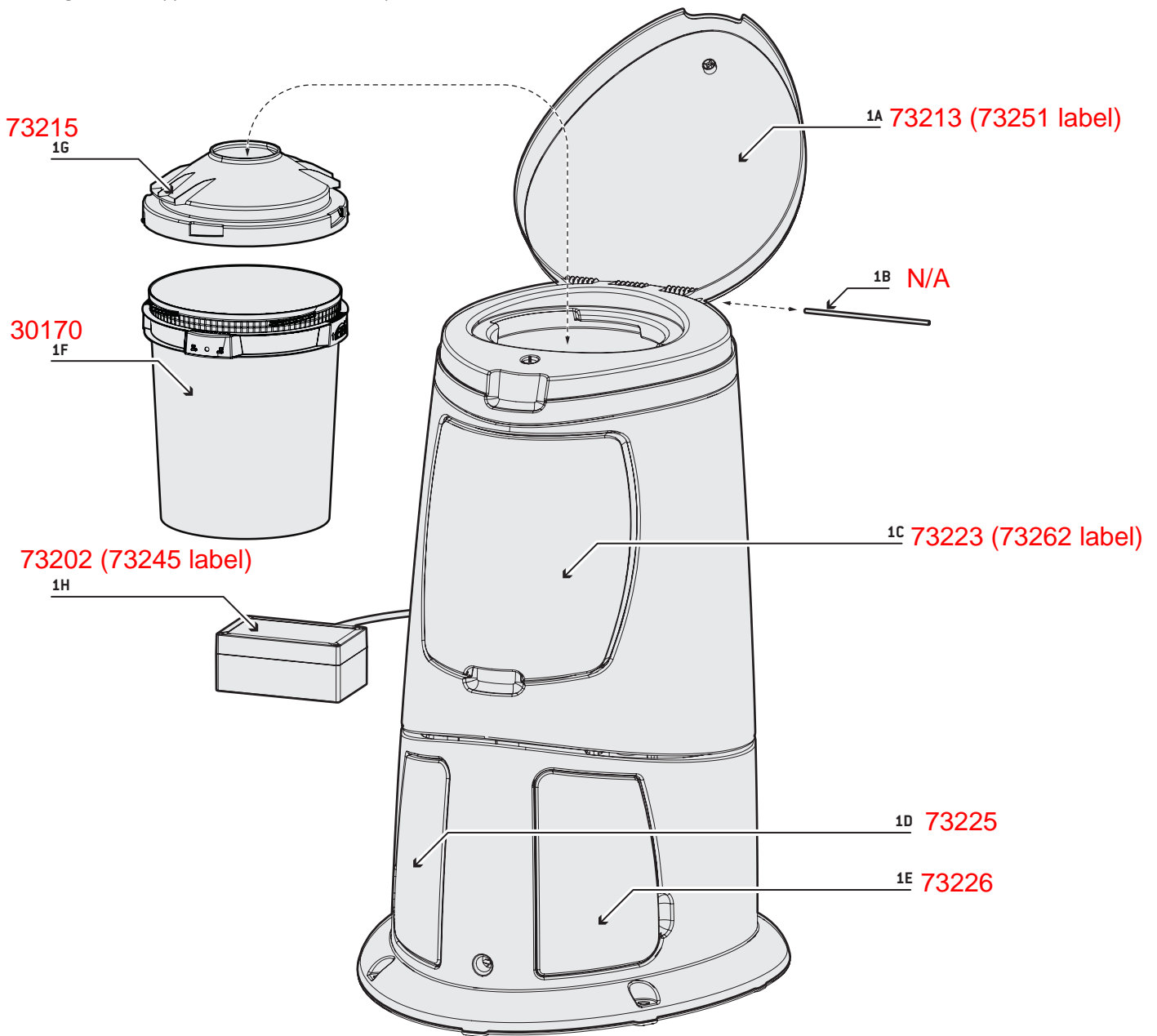
3.1 Components List

The Pulsar® Precision Feeder includes these components:

- A Hopper, which includes:
 - A1 Hopper lid, hinge pin, and retainer
 - A2 HCE grid basket
 - A3 HCE bowl
 - A4 Junction Box
 - A5 Front cover
 - A6 Feeder control box
 - A7 ESV (emergency shutoff valve)(picture not shown)
 - A8 ESV nut wrench (picture not shown)
 - A9 Grid basket removal tool (picture not shown)
- B Base, which includes:
 - B1 Left and right covers
 - B2 Discharge valve assembly
 - B3 Level switch (picture not shown)
 - B4 Bucket funnel (picture not shown)
- C Booster pump and venturi installation kit (picture not shown)

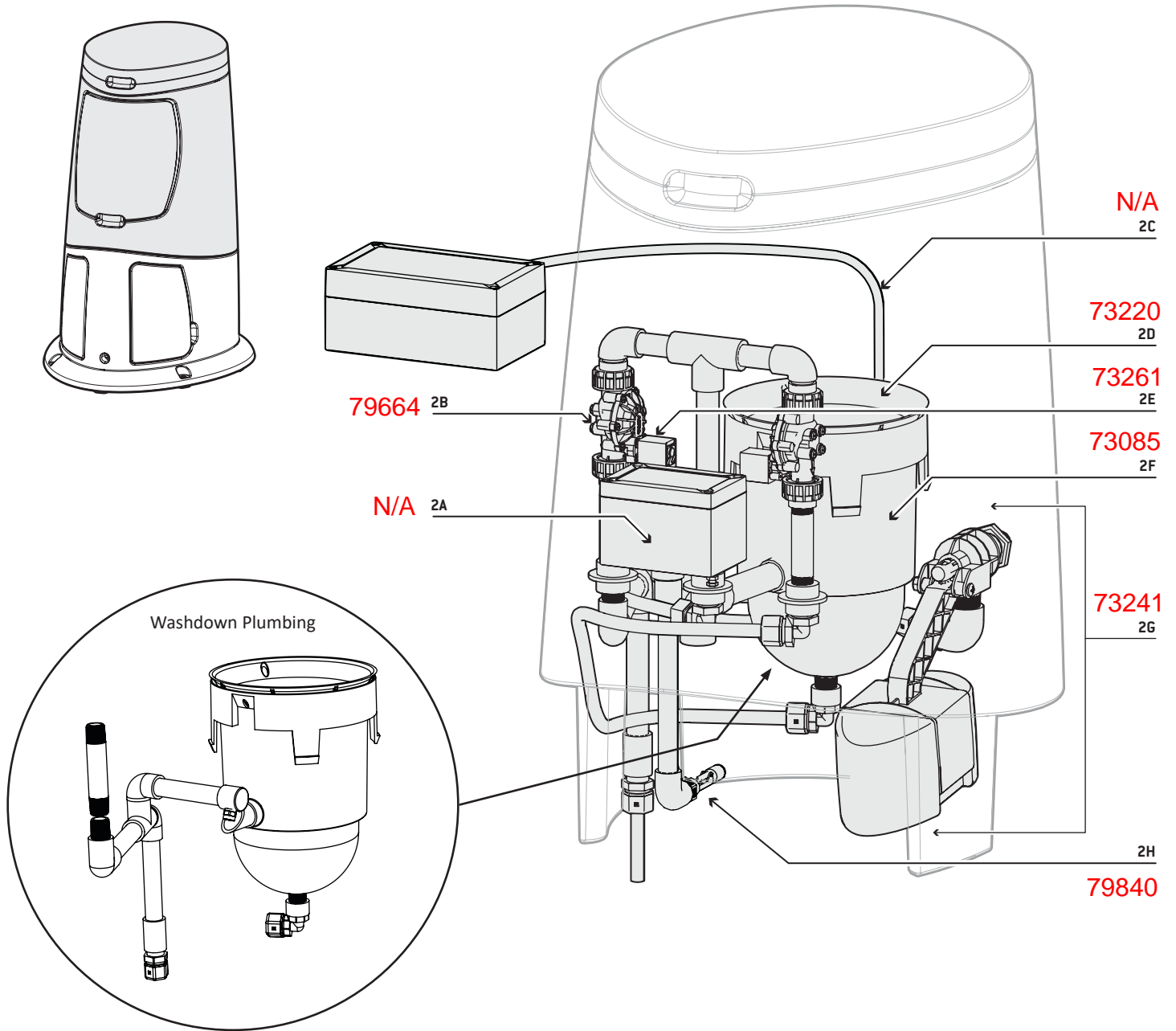
10.3 Replacement Parts List and Views

Figure 12. Hopper and Base Exterior Components View



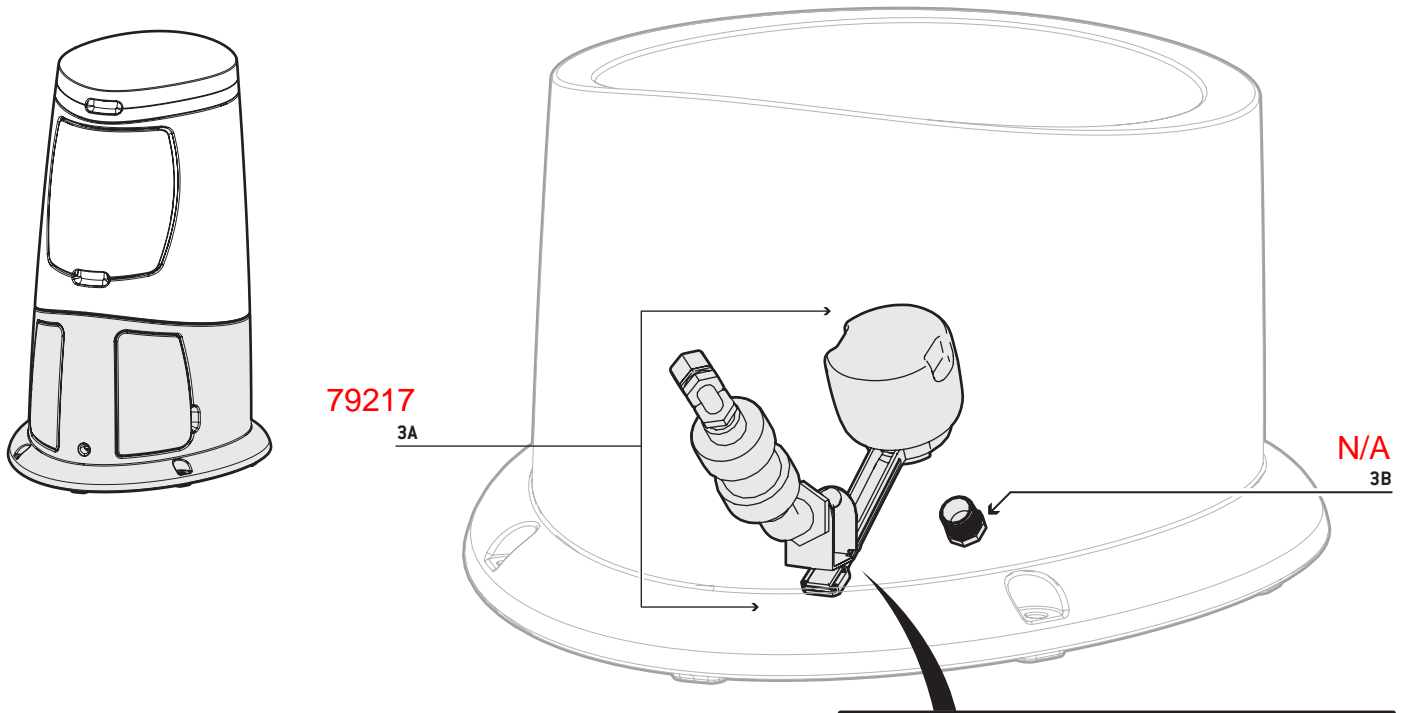
No	Description	Part Number
1: HOPPER AND BASE EXTERIOR COMPONENTS (if applicable, use both part numbers when placing order)		
1A	Pulsar Lid / lid label	73213 / 73251
1B	Hinge Pin and Retainer Clip	N/A
1C	Pulsar Front Cover / Cover Label	73223 / 73262
1D	Left Cover	73225
1E	Right Cover	73226
1F	Bucket - 50 lbs Pulsar® Plus	30170
1G	Bucket Funnel	73215
1H	Pulsar Control Box / Control Box Label	73202 / 73245

Figure 13. Hopper Interior Components View



No	Description	Part Number
2: HOPPER INTERIOR COMPONENTS		
2A	Junction Box (comes with the ⁷³²⁰² Control Box)	N/A
2B	Solenoid Valve	79664
2C	Wiring Harness (comes with the ⁷³²⁰² Control Box)	N/A
2D	Grid Basket	73220
2E	DIN Cables	73261
2F	Chlorinator, HCE Nozzle	73085
2G	Emergency Shutoff Valve	73241
2H	High Level Switch	79840

Figure 14. Base Interior Components View



No	Description	Part Number
3: BASE INTERIOR COMPONENTS		
3A	Discharge Valve Assembly	79217
3B	3/4" NPT Plug PVC (replacement customer sourced)	N/A
3C	1/2" 90° Tubing Connector, W8ME8	71898
3D	PVC Check Valve	79218
3E	1/2" Threaded Nipple	71916
3F	1/2" 45° Threaded Elbow	79222
3G	Discharge Valve Nut	71583
3H	Discharge Valve Gasket	71576
3I	Discharge Valve Body	79806
3J	Discharge Valve Float	79810
3K	Discharge Valve Arm	79805

