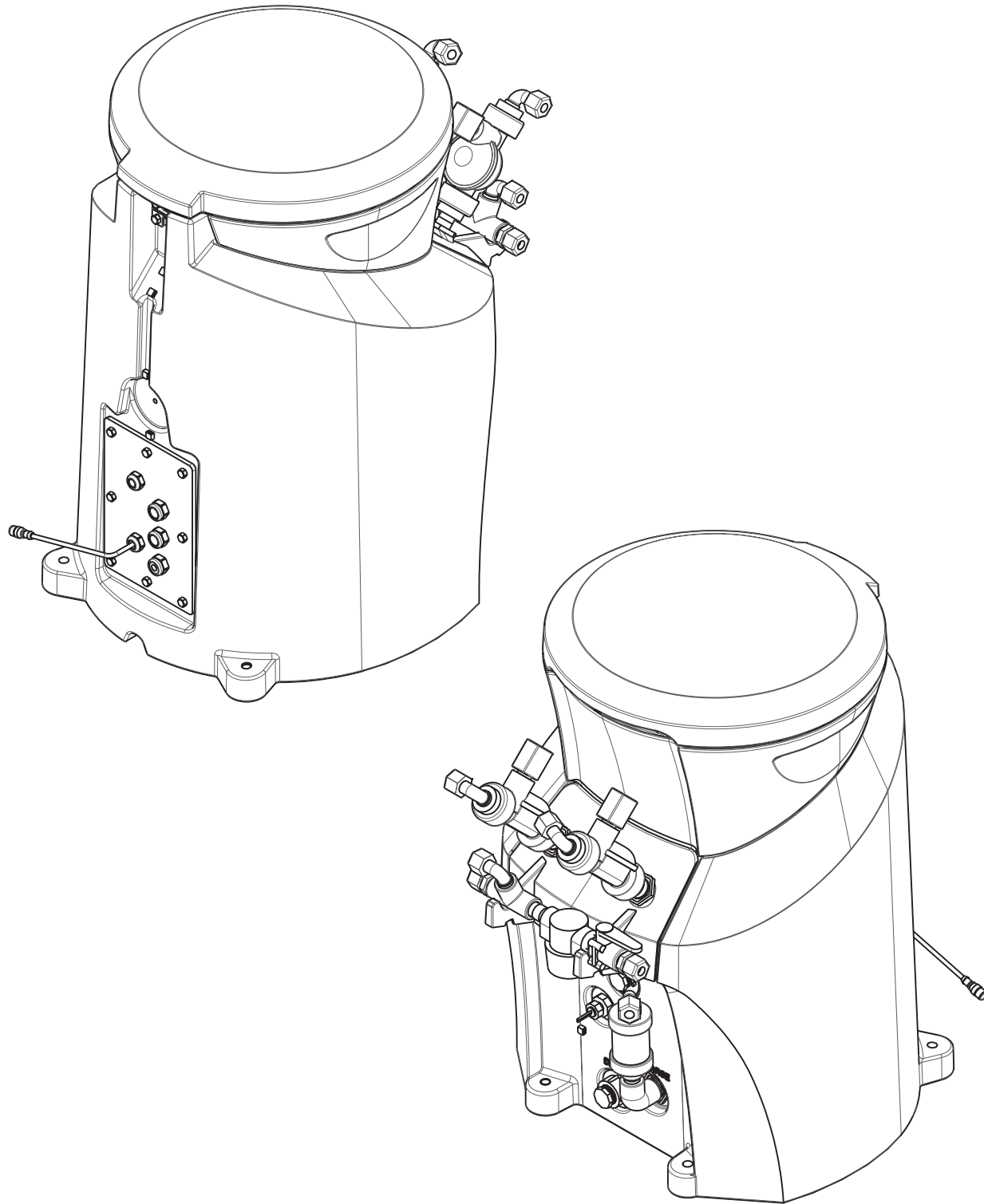


# Pulsar® 45 Feeder: Detailed View

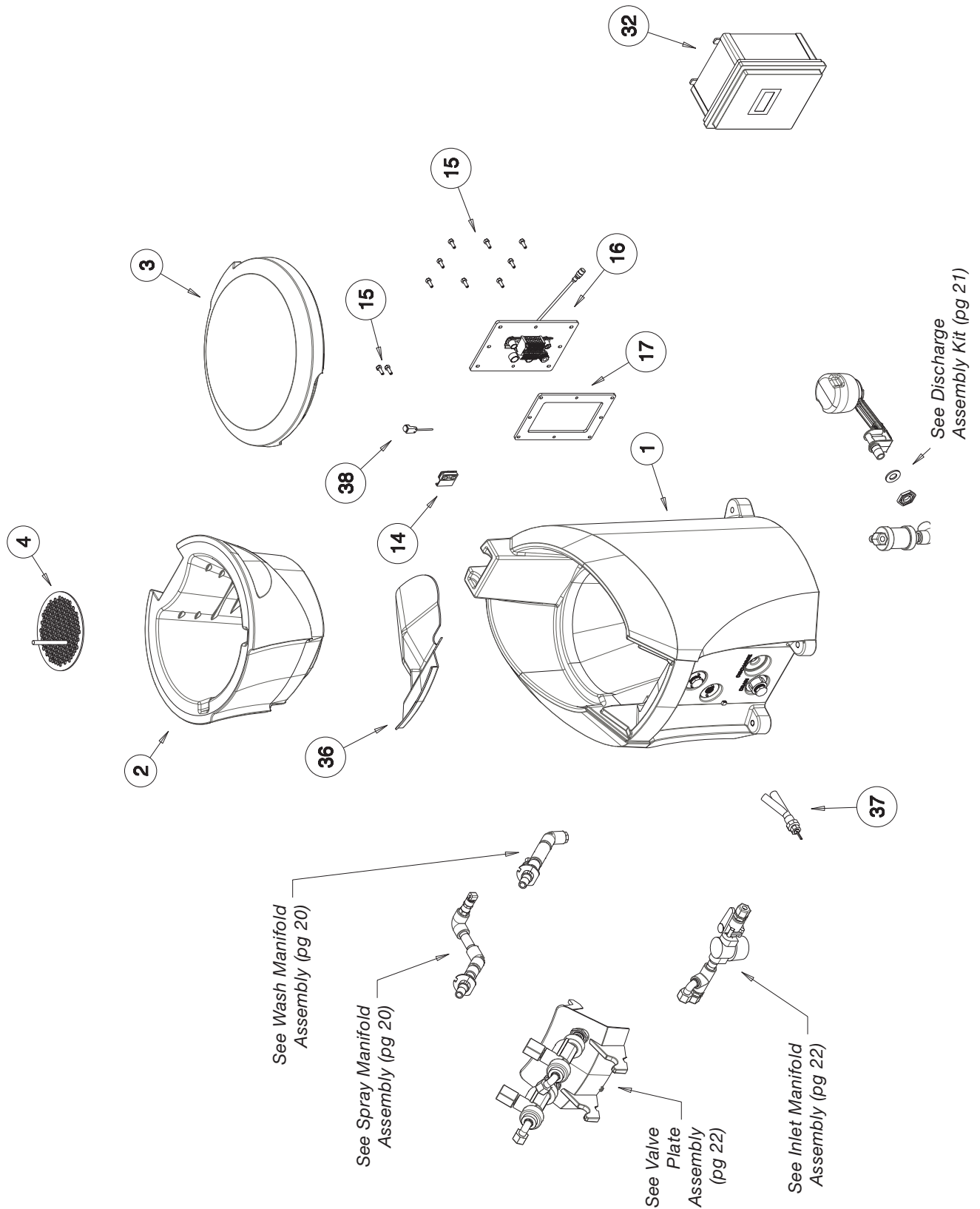
---

See pages 24-25 for Diagram Descriptions



# Pulsar® 45 Feeder: Detailed View

See pages 24-25 for Diagram Descriptions



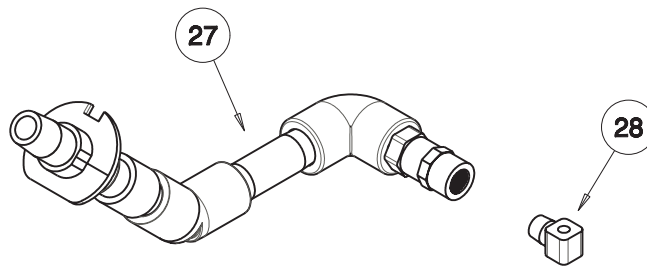
# Pulsar® 45 Feeder: Assembly Views

---

See pages 24-25 for Diagram Descriptions

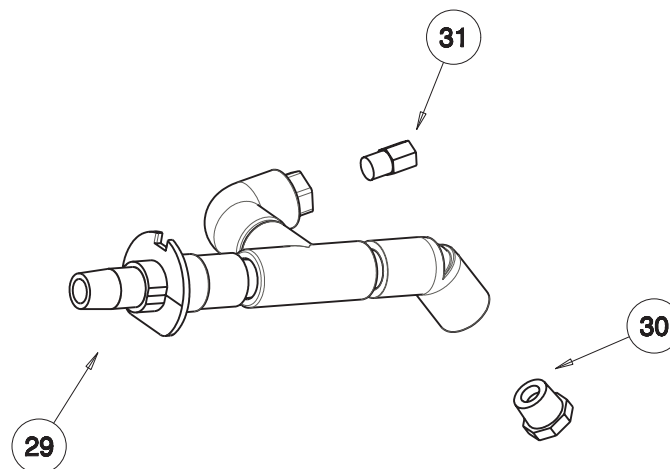
## Spray Manifold Assembly

---



## Wash Manifold Assembly

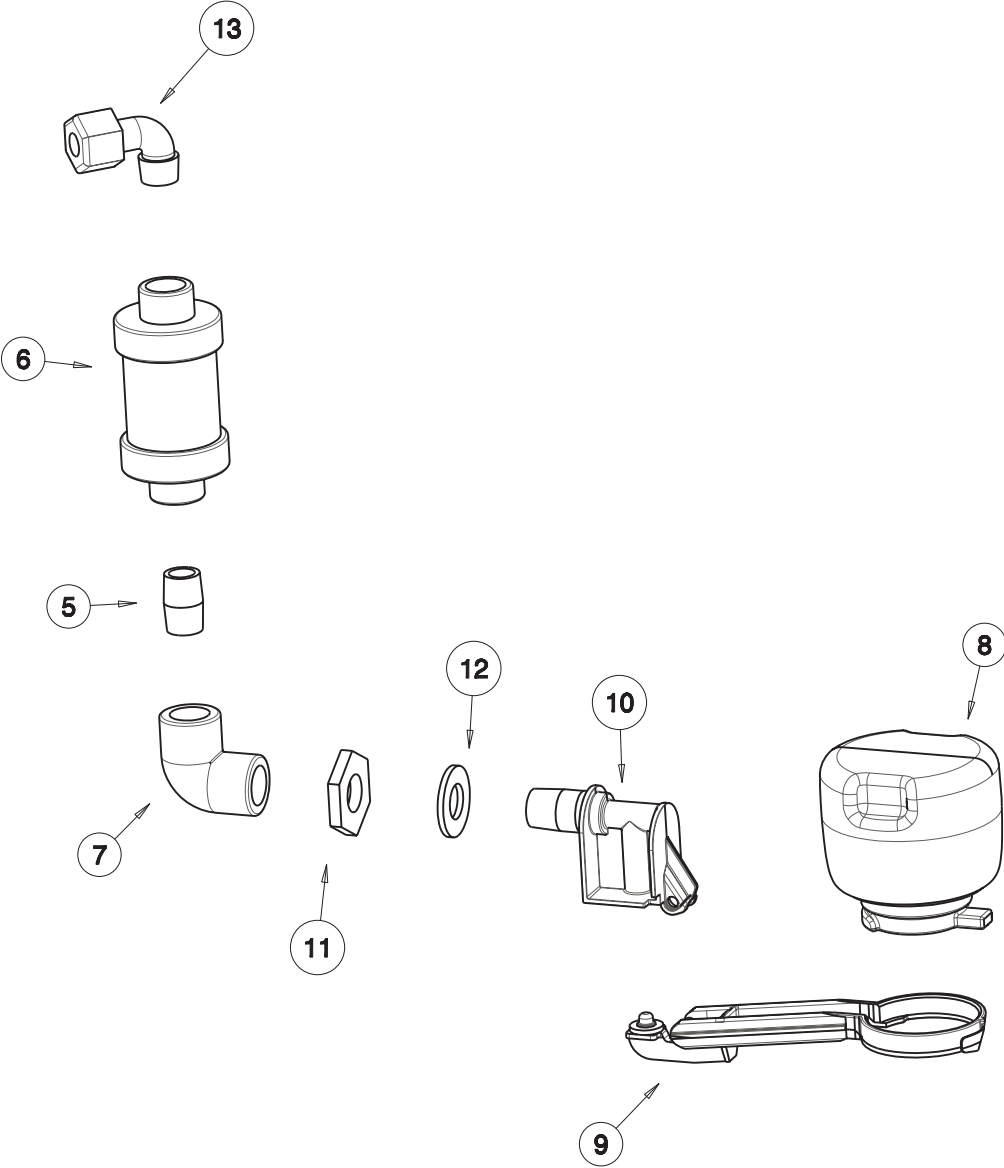
---



# Pulsar® 45 Feeder: Assembly Views

See pages 24-25 for Diagram Descriptions

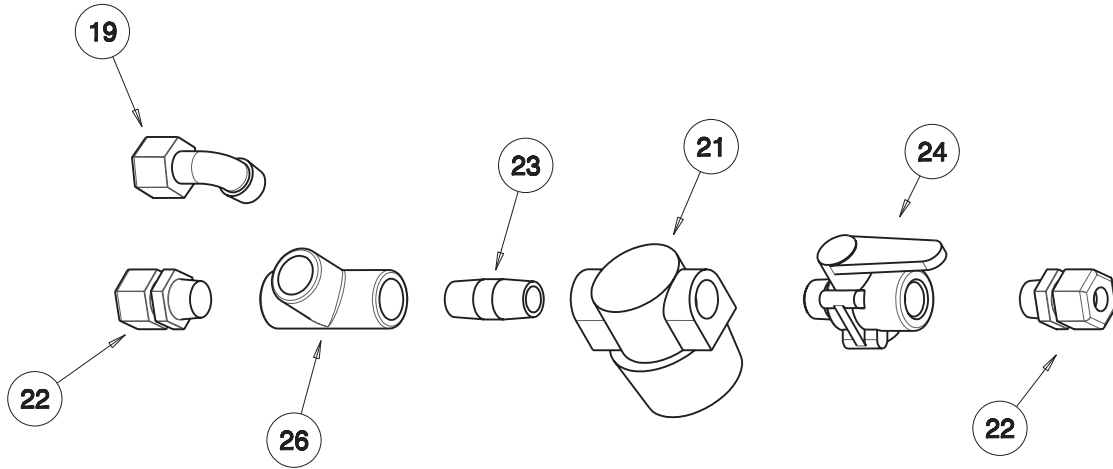
## Discharge Assembly Kit



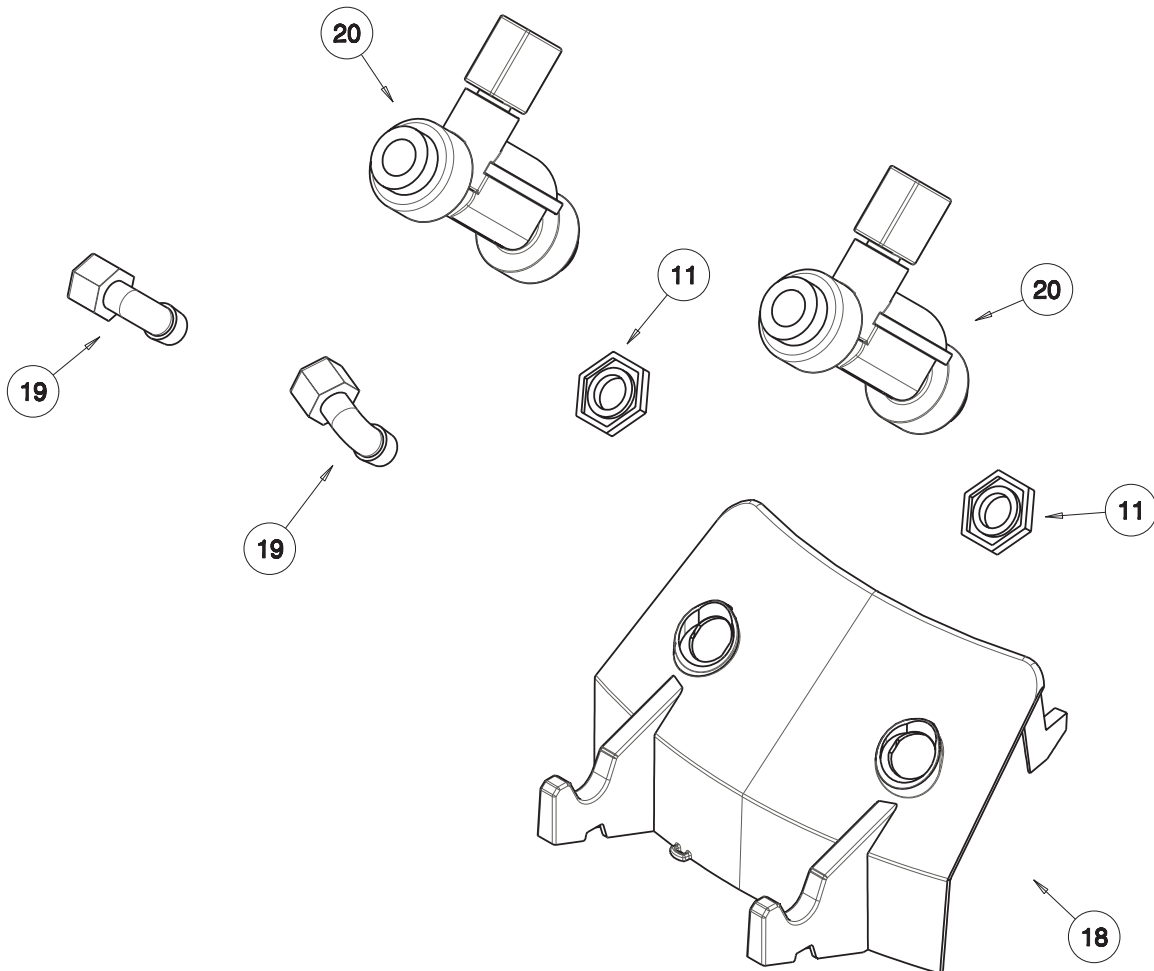
# Pulsar® 45 Feeder: Assembly Views

See pages 24-25 for Diagram Descriptions

## Inlet Manifold Assembly



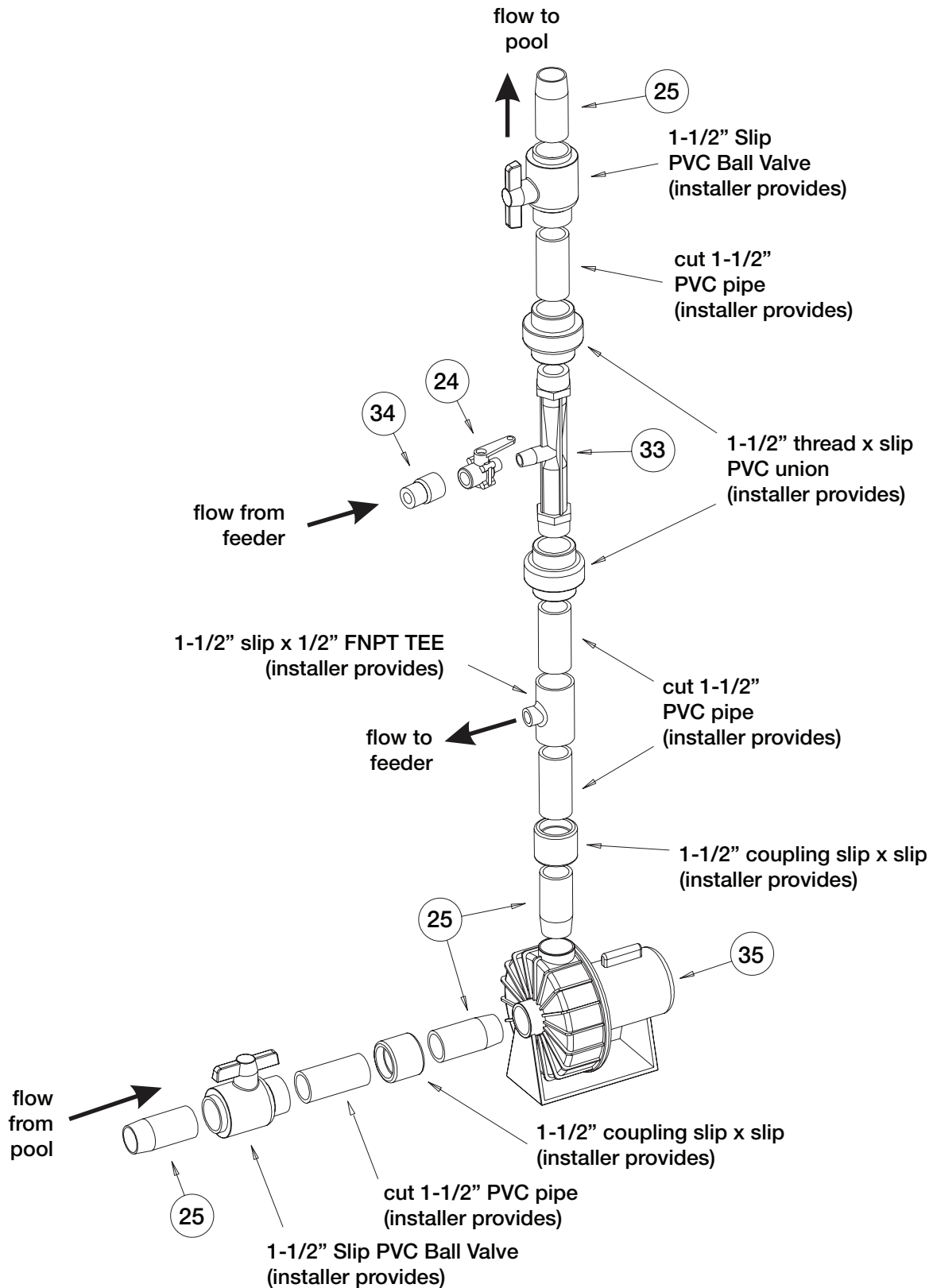
## Valve Plate Assembly



# Pulsar® 45 Feeder: Assembly Views

See pages 24-25 for Diagram Descriptions

## Pulsar® Installation Kit



# Pulsar® 45 Feeder: Diagram Descriptions

Diagram Number	Location	Part Number	Qty/ Unit	Description
1	MOLDED BASE ASSEMBLY	79615	1	MOLDED BASE WITH INSERTS
2	HOPPER ASSEMBLY	79629	1	HOPPER
3	LID ASSEMBLY	79630	1	LID
4	HOPPER ASSEMBLY	79651	1	GRID
5	DISCHARGE ASSEMBLY KIT	71916	1	1/2" X 1-1/2" NIPPLE
6	DISCHARGE ASSEMBLY KIT	79218	1	CHECK VALVE
7	DISCHARGE ASSEMBLY KIT	79222	1	1/2" INCH PVC 90° ELBOW
8	DISCHARGE ASSEMBLY KIT	79810	1	DV Float
9	DISCHARGE ASSEMBLY KIT	79805	1	DV Arm
10	DISCHARGE ASSEMBLY KIT	79806	1	DV BODY
11	DISCHARGE ASSEMBLY KIT	71583	1	DV NUT
11	VALVE PLATE ASSEMBLY	71583	2	DV NUT
12	DISCHARGE ASSEMBLY KIT	71576	1	DV GASKET
13	DISCHARGE ASSEMBLY KIT	79811	1	P8ME8
14	BASE ADD ON'S (Features)	79647	1	BRACKET LID SWITCH
15	BASE ADD ON'S (Features)	76360	10	ISOPLAST BOLT 1/4 - 20 X 3/4"
16	BASE ADD ON'S (Features)	79616	1	J-BOX ASSEMBLY WITH TURCK CABLE
17	BASE ADD ON'S (Features)	79618	1	J-BOX GASKET
18	VALVE PLATE ASSEMBLY	79625	1	VALVE PLATE
19	VALVE PLATE ASSEMBLY	79813	2	JACO - WHITE 1/2" MNPT x 1/2" TUBE 90° ELL
19	INLET MANIFOLD ASSEMBLY	79813	1	JACO - WHITE 1/2" MNPT x 1/2" TUBE 90° ELL
20	VALVE PLATE ASSEMBLY	79664	2	SOLENOID (ASCO 8212A519S0100F1)
21	INLET MANIFOLD ASSEMBLY	79812	1	LINE STRAINER ASSEMBLY
22	INLET MANIFOLD ASSEMBLY	79814	2	JACO WHITE CONNECTOR 1/2" MNPT x 1/2" TUBE
23	INLET MANIFOLD ASSEMBLY	76255	1	PVC THREADED NIPPLE - 1/2" NPT X 2"
24	INLET MANIFOLD ASSEMBLY	71627	1	MF BALL VALVE
24	INSTALLATION KIT	71627	1	MF BALL VALVE
25	INSTALLATION KIT	71548	2	1-1/2" x 12" PVC THREADED NIPPLE
26	INLET MANIFOLD ASSEMBLY	71912	1	1/2" NPT TEE
27	SPRAY MANIFOLD ASSEMBLY	79628	1	SPRAY MANIFOLD
28	SPRAY MANIFOLD ASSEMBLY	71617	1	422.406.5E.BC NOZZLE

# Pulsar® 45 Feeder: Diagram Descriptions

Diagram Number	Location	Part Number	Qty/ Unit	Description
29	WASH MANIFOLD ASSEMBLY	79648	1	WASH MANIFOLD
30	WASH MANIFOLD ASSEMBLY	79660	1	AGITATION NOZZLE
31	WASH MANIFOLD ASSEMBLY	79666	1	WASH-DOWN NOZZLE (460.644)
32	CONTROL BOX	79816	1	HMI CONTROL BOX WITH IDEC PLC
33	INSTALLATION KIT	71811	1	VENTURI (MAZZEI 1585X)
34	INSTALLATION KIT	71588	1	P8FC8
35	INSTALLATION KIT	79214	1	BOOSTER PUMP
36	MOLDED BASE ASSEMBLY	79623	1	SHIELD 79656
37	BASE ADD ON'S (Features)	79689	1	SAFETY OVERFLOW SWITCH (INCLUDED WITH 79616)
38	BASE ADD ON'S (Features)	79688	1	LID SAFETY SWITCH (INCLUDED WITH 79616)

## NOT SHOWN IN DIAGRAMS

N/A	INSTALLATION KIT	71626	1	20' 1/2"OD LDPE TUBING
N/A	MOLDED BASE ASSEMBLY	HD/Local	6	OLN 000450 – MOUNT CABLE TIE
N/A	MOLDED BASE ASSEMBLY	HD/Local	6	OLN 000451 - CABLE TIE
N/A	BASE DRAIN ASSEMBLY	HD/Local	1	3/4" PVC HEX PLUG
N/A	BASE DRAIN ASSEMBLY	HD/Local	1	INLET DRAIN SIPHON ASSEM
N/A	VALVE PLATE ASSEMBLY	HD/Local	1	1/2" OD LDPE TUBING 24" LONG
N/A	VALVE PLATE ASSEMBLY	HD/Local	1	1/2" OD LDPE TUBING 18" LONG
N/A	MISCELLANEOUS		1	MANUALS
N/A	MISCELLANEOUS		1	WARRANTY CARD