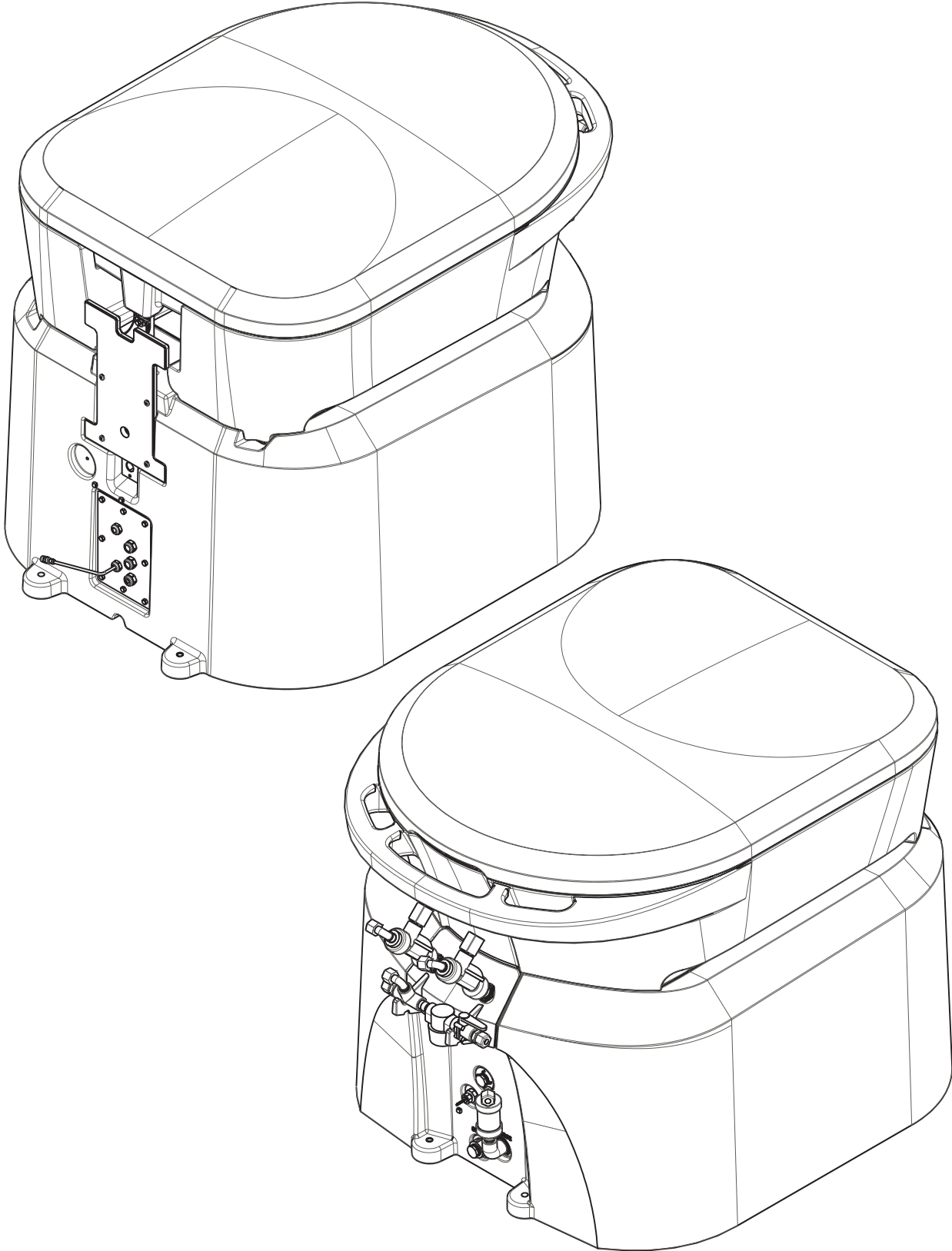


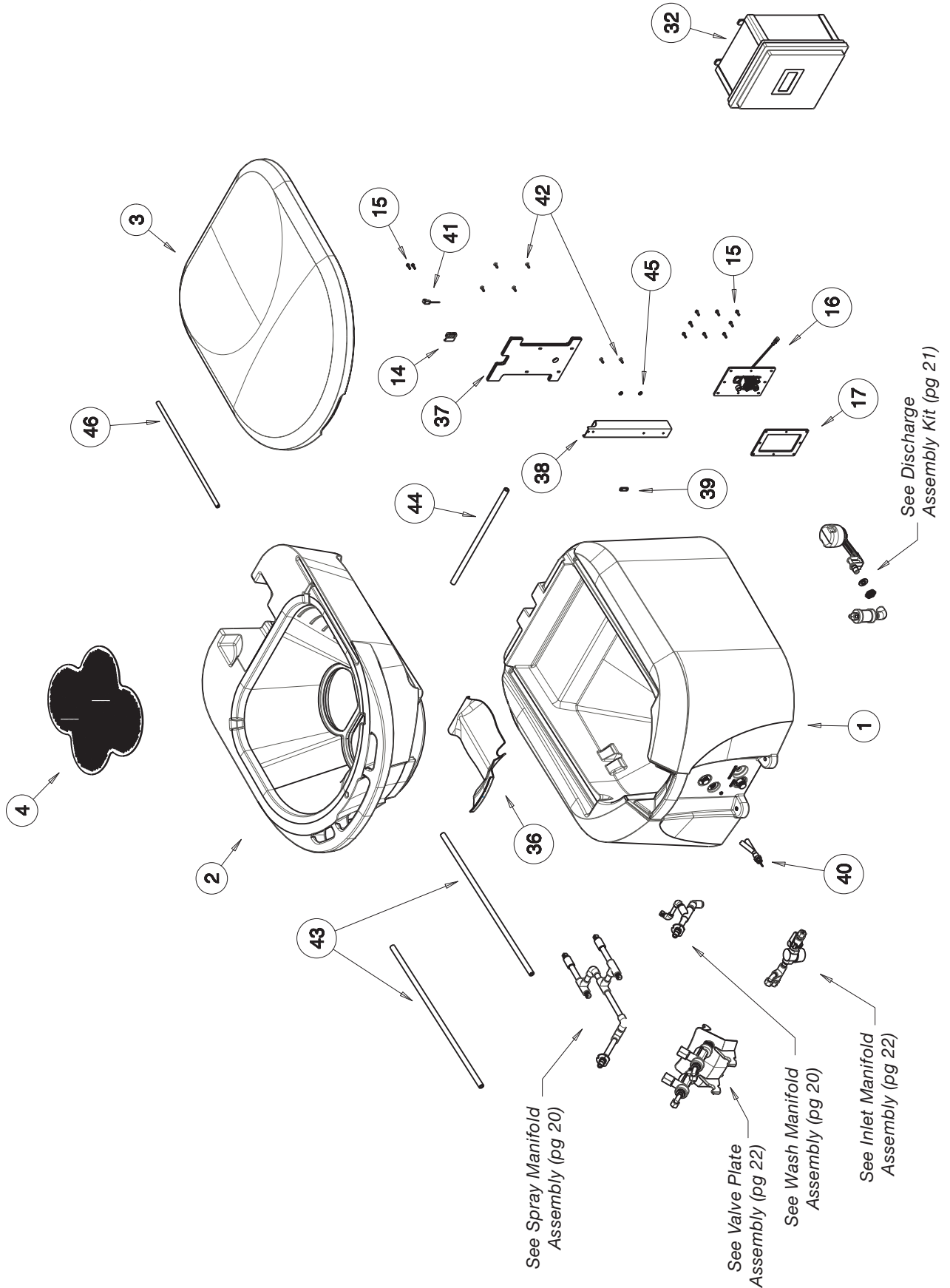
Pulsar® 500 Feeder: Detailed View

See pages 24-25 for Diagram Descriptions



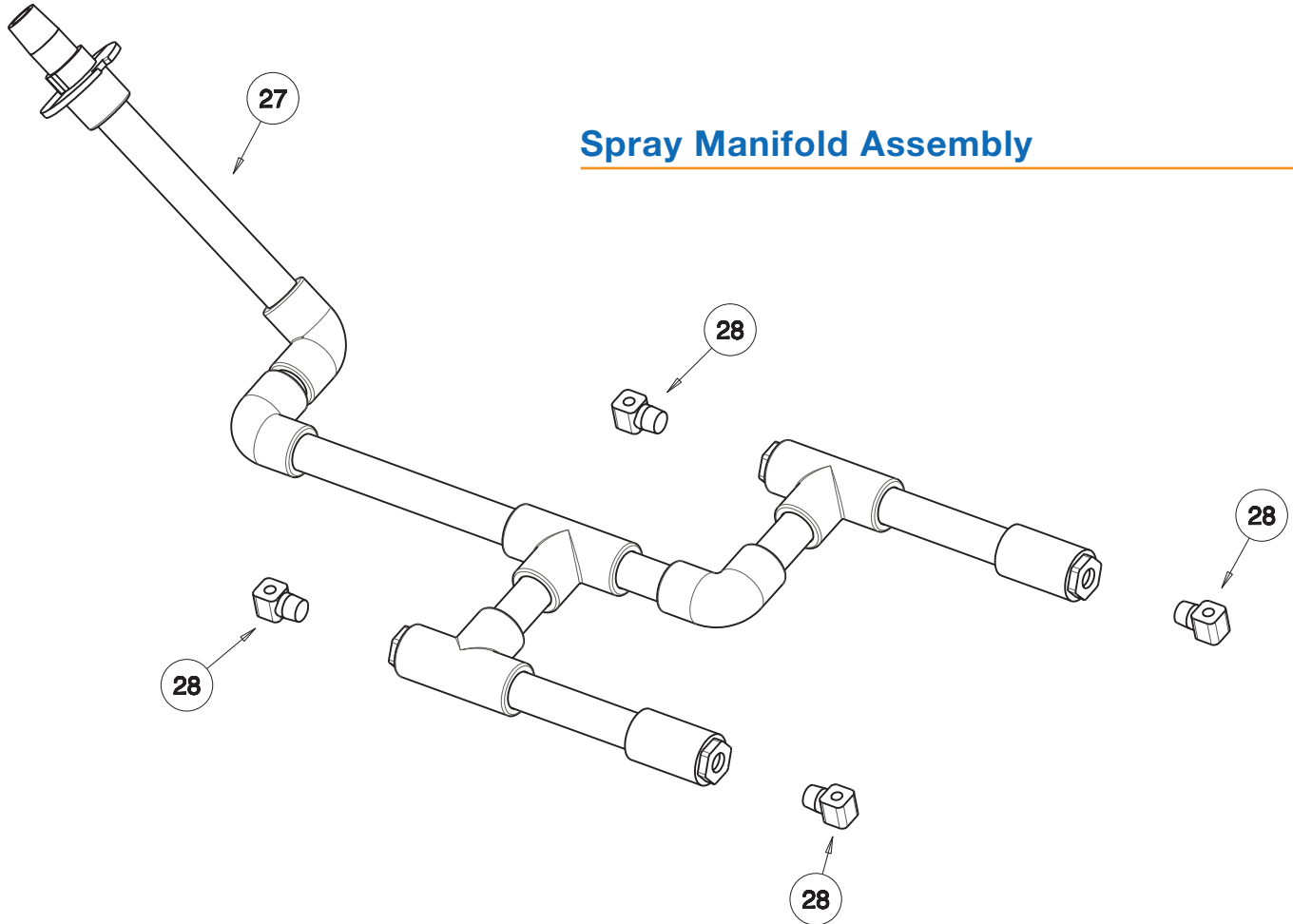
Pulsar® 500 Feeder: Detailed View

See pages 24-25 for Diagram Descriptions

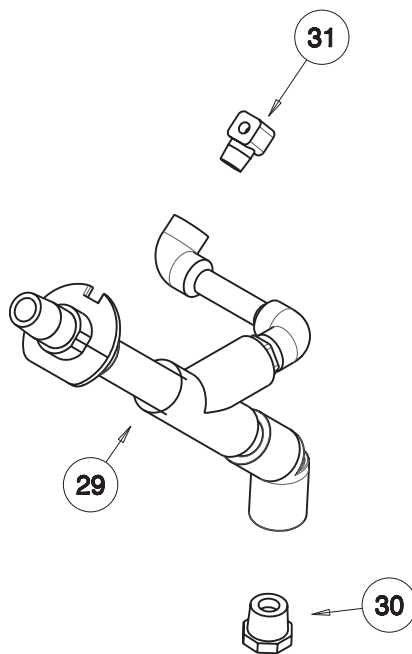


Pulsar® 500 Feeder: Assembly Views

See pages 24-25 for Diagram Descriptions



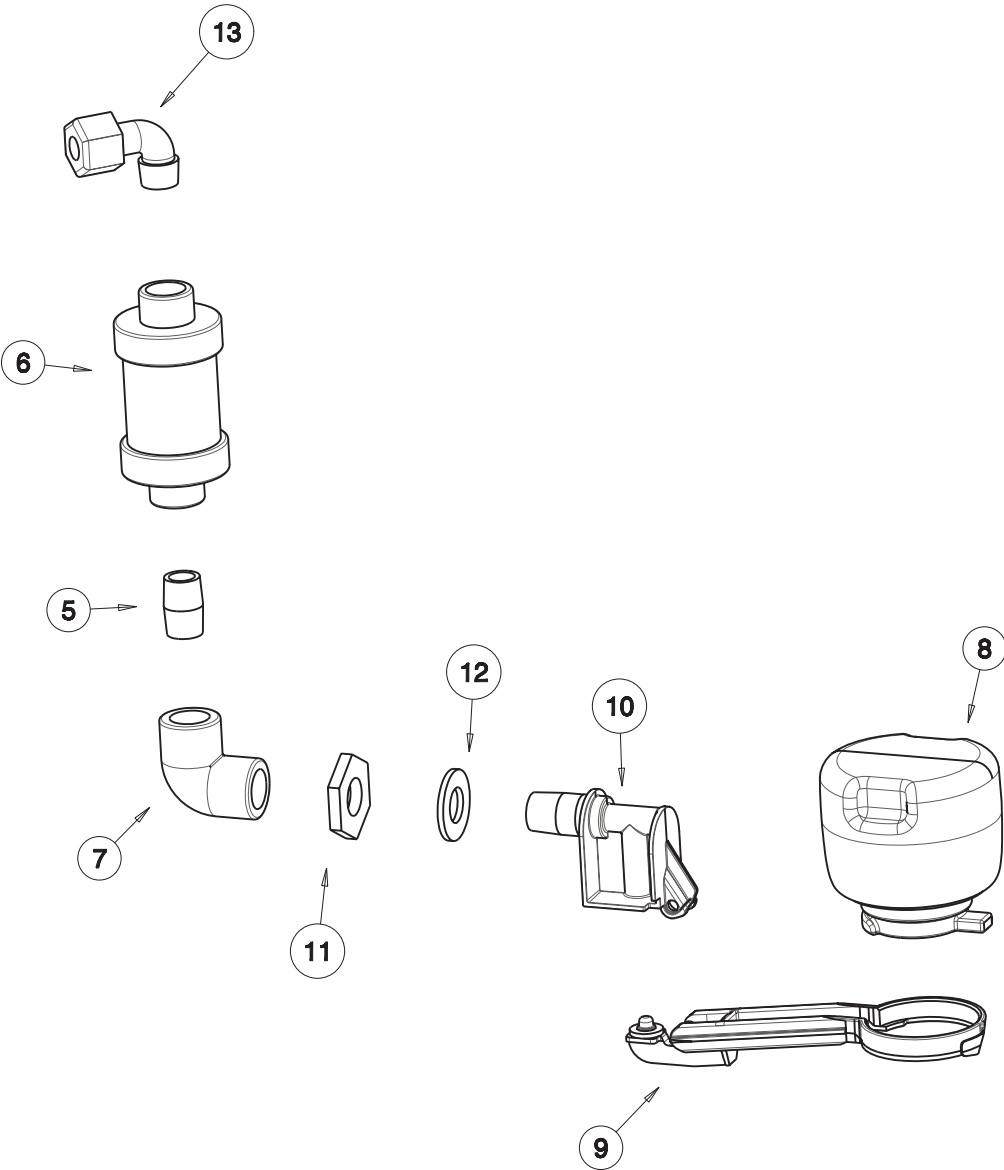
Wash Manifold Assembly



Pulsar® 500 Feeder: Assembly Views

See pages 24-25 for Diagram Descriptions

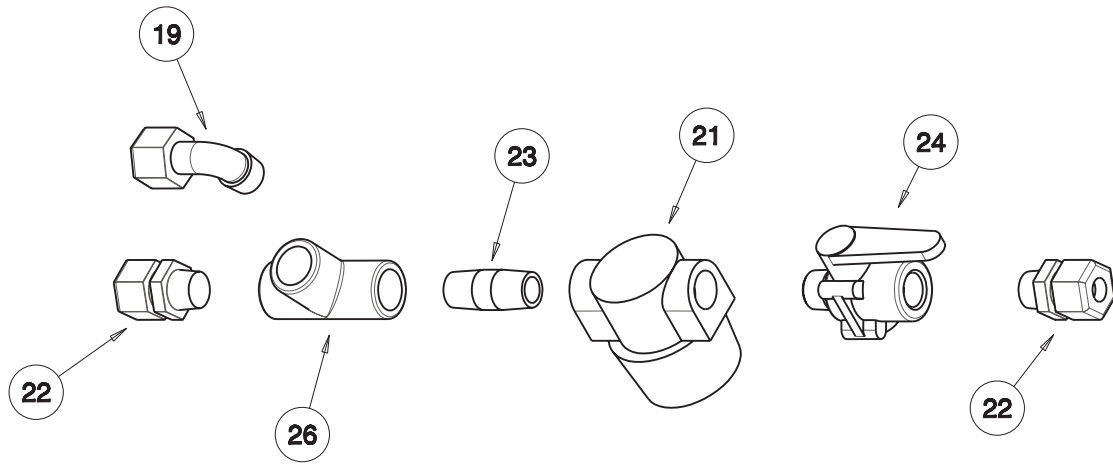
Discharge Assembly Kit



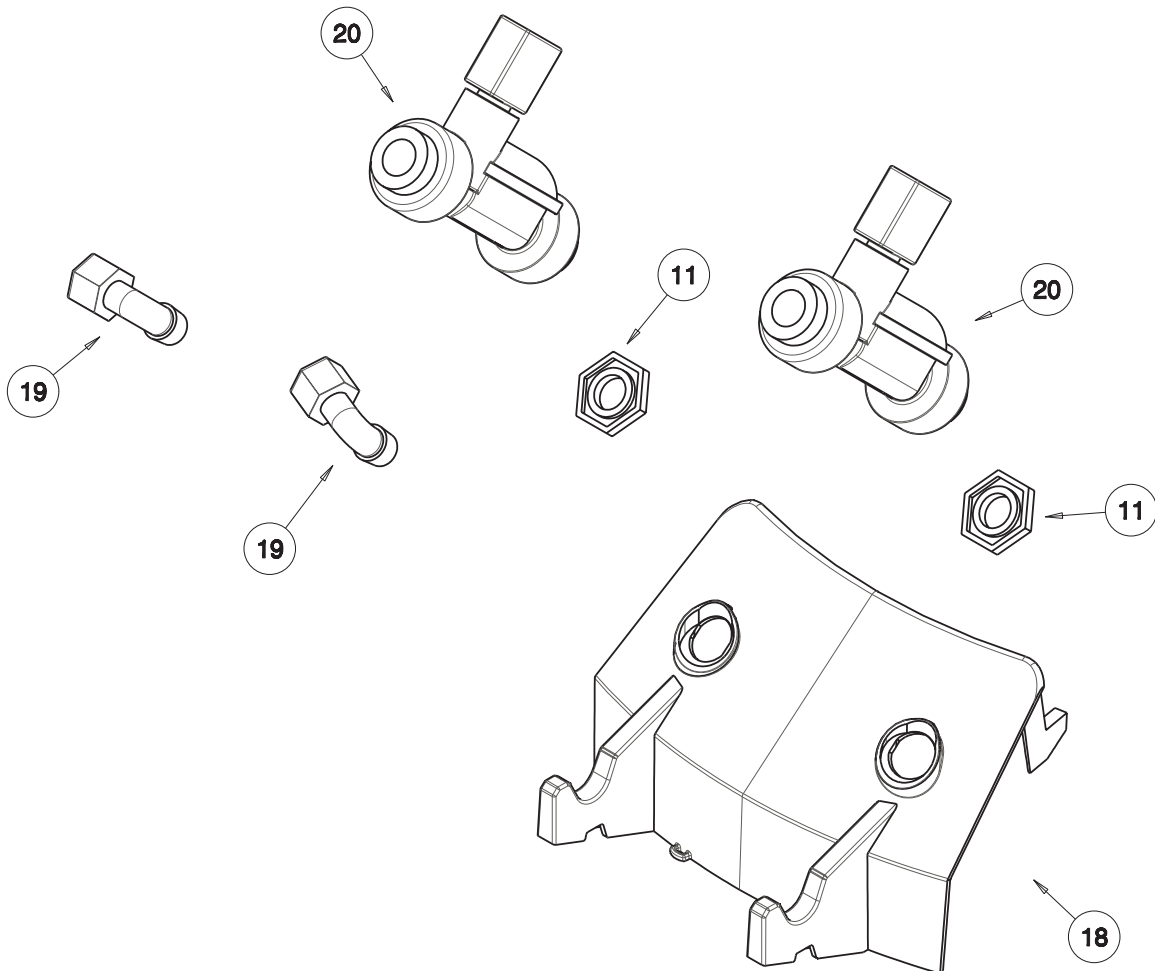
Pulsar® 500 Feeder: Assembly Views

See pages 24-25 for Diagram Descriptions

Inlet Manifold Assembly



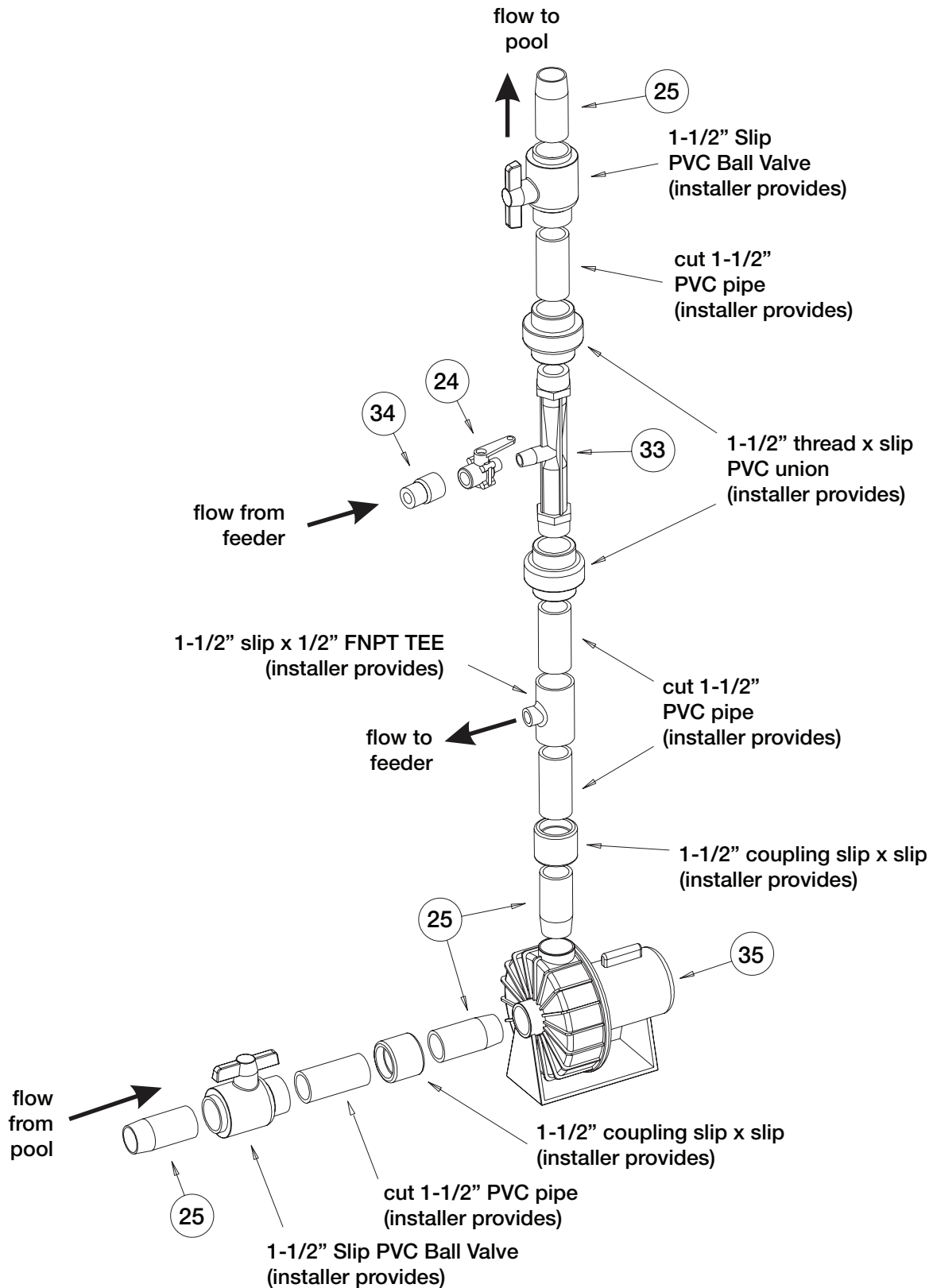
Valve Plate Assembly



Pulsar® 500 Feeder: Assembly Views

See pages 24-25 for Diagram Descriptions

Pulsar® Installation Kit



Pulsar® 500 Feeder: Diagram Descriptions

Diagram Number	Location	Part Number	Qty/ Unit	Description
1	BASE ASSEMBLY	79641	1	BASE WITH INSERTS
2	HOPPER ASSEMBLY	79645	1	HOPPER
3	LID ASSEMBLY	79659	1	LID
4	HOPPER ASSEMBLY	79643	1	GRID NP3
5	DISCHARGE ASSEMBLY KIT	71916	1	1/2" X 1-1/2" NIPPLE
6	DISCHARGE ASSEMBLY KIT	79218	1	CHECK VALVE
7	DISCHARGE ASSEMBLY KIT	79222	1	1/2" PVC 90° ELBOW
8	DISCHARGE ASSEMBLY KIT	79810	1	DV Float
9	DISCHARGE ASSEMBLY KIT	79805	1	DV Arm
10	DISCHARGE ASSEMBLY KIT	79806	1	DV BODY
11	DISCHARGE ASSEMBLY KIT	71583	1	DV NUT
11	VALVE PLATE ASSEMBLY	71583	2	DV NUT
12	DISCHARGE ASSEMBLY KIT	71576	1	DV GASKET
13	DISCHARGE ASSEMBLY KIT	79811	1	P8ME8
14	BASE ADD ON'S (Features)	79647	1	BRACKET LID SWITCH
15	BASE ADD ON'S (Features)	76360	12	ISOPLAST BOLT 1/4 - 20 X 3/4"
16	BASE ADD ON'S (Features)	79616	1	J-BOX ASSEMBLY WITH TURCK CABLE
17	BASE ADD ON'S (Features)	79618	1	J-BOX GASKET
18	VALVE PLATE ASSEMBLY	79625	1	VALVE PLATE
19	VALVE PLATE ASSEMBLY	79813	2	JACO - WHITE 1/2" MNPT x 1/2" TUBE 90° ELL
19	INLET MANIFOLD ASSEMBLY	79813	1	JACO - WHITE 1/2" MNPT x 1/2" TUBE 90° ELL
20	VALVE PLATE ASSEMBLY	79664	2	SOLENOID (ASCO 8212A519S0100F1)
21	INLET MANIFOLD ASSEMBLY	79812	1	LINE STRAINER ASSEMBLY
22	INLET MANIFOLD ASSEMBLY	79814	2	JACO WHITE CONNECTOR 1/2" MNPT x 1/2" TUBE
23	INLET MANIFOLD ASSEMBLY	76255	1	PVC THREADED NIPPLE - 1/2" NPT X 2"
24	INLET MANIFOLD ASSEMBLY	71627	1	MF BALL VALVE
24	INSTALLATION KIT	71627	1	MF BALL VALVE
25	INSTALLATION KIT	71548	2	1-1/2" x 12" PVC THREADED NIPPLE
26	INLET MANIFOLD ASSEMBLY	71912	1	1/2" NPT TEE
27	SPRAY MANIFOLD ASSEMBLY	79644	1	SPRAY MANIFOLD
28	SPRAY MANIFOLD ASSEMBLY	71888	4	422.566.5E.BC NOZZLE
29	WASH MANIFOLD ASSEMBLY	79650	1	WASH MANIFOLD
30	WASH MANIFOLD ASSEMBLY	79660	1	AGITATION NOZZLE 1 PER

Pulsar® 500 Feeder: Diagram Descriptions

Diagram Number	Location	Part Number	Qty/ Unit	Description
31	WASH MANIFOLD ASSEMBLY	71888	1	WASH-DOWN NOZZLE
32	CONTROL BOX	79816	1	HMI CONTROL BOX WITH IDEC PLC
33	INSTALLATION KIT	71811	1	VENTURI (MAZZEI 1585X)
34	INSTALLATION KIT	71588	1	P8FC8
35	INSTALLATION KIT	79214	1	BOOSTER PUMP
36	BASE ASSEMBLY	79656	1	SHIELD 79656
37	BASE ADD ON'S (Features)	79610	1	ANTI TIP PLATE
38	BASE ADD ON'S (Features)	79642	1	MAST LID SWITCH
39	BASE ADD ON'S (Features)	79658	1	NUT PLATE
40	BASE ADD ON'S (Features)	79689	1	SAFETY OVERFLOW SWITCH (INCLUDED WITH 79616)
41	BASE ADD ON'S (Features)	79688	1	LID SAFETY SWITCH (INCLUDED WITH 79616)
42	BASE ADD ON'S (Features)	HD/Local	6	1/4 – 20 X 3/4" SS SCREW (2 MAST, 4 PLATE)
43	BASE ADD ON'S (Features)	HD/Local	2	HOPPER SKIDS (1/2" SCH 80 PVC PIPE; 32" LONG)
44	BASE ADD ON'S (Features)	HD/Local	1	SHIELD SUPPORT (1/2" SCH 80 PVC PIPE; 22" LONG)
45	BASE ADD ON'S (Features)	HD/Local	2	1/4" SS WASHER
46	HOPPER ASSEMBLY	HD/Local	1	PROP ROD (3/8" SCH 80 PVC PIPE; 24-1/2" LONG)

NOT SHOWN IN DIAGRAMS

N/A	INSTALLATION KIT	71626	1	20' 1/2" OD LDPE TUBING
N/A	BASE DRAIN ASSEMBLY	HD/Local	1	3/4" PVC HEX PLUG
N/A	BASE DRAIN ASSEMBLY	79621	1	INLET DRAIN SIPHON ASSEM
N/A	VALVE PLATE ASSEMBLY	HD/Local	1	1/2" OD LDPE TUBING 24" LONG
N/A	VALVE PLATE ASSEMBLY	HD/Local	1	1/2" OD LDPE TUBING 18" LONG
N/A	MISCELLANEOUS	HD/Local	2	LEAD SHIELD (FOR 5/16" LAG BOLT)
N/A	MISCELLANEOUS	HD/Local	2	GALVANIZED LAG BOLT WASHER (5/16")
N/A	MISCELLANEOUS	HD/Local	2	5/16" X 3" GALVANIZED LAG BOLT
N/A	MISCELLANEOUS		1	MANUALS
N/A	MISCELLANEOUS		1	WARRANTY CARD